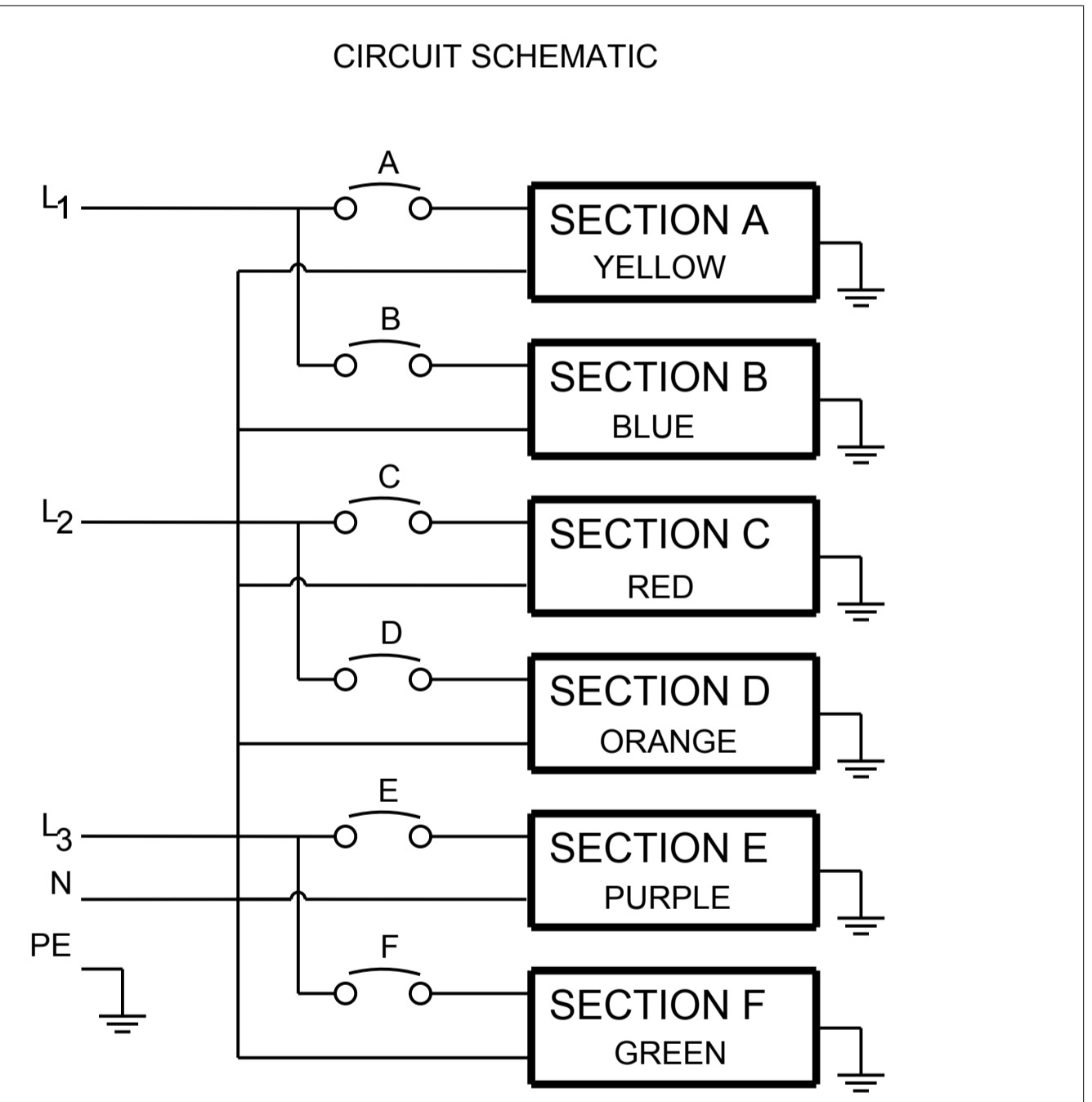
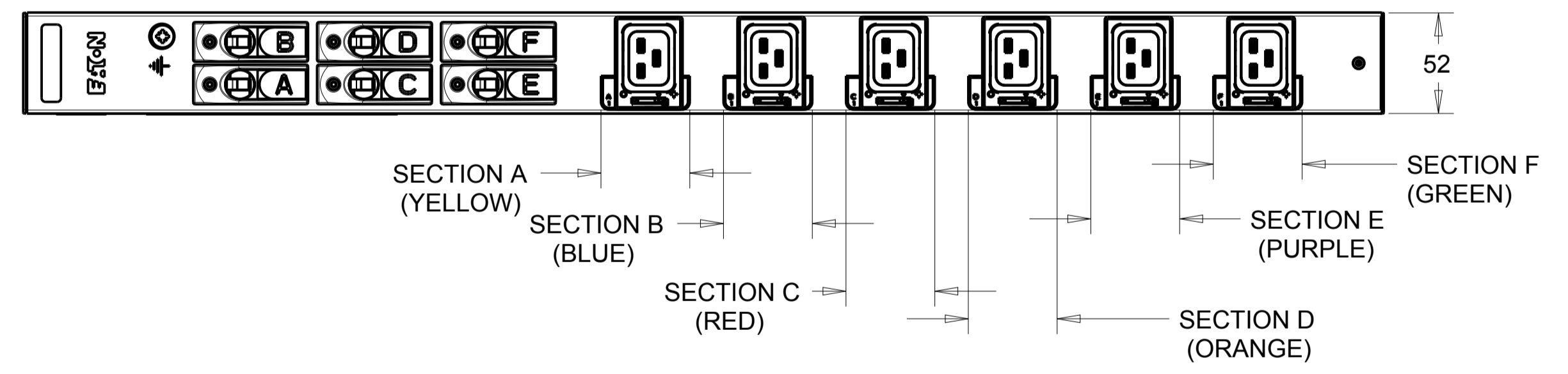
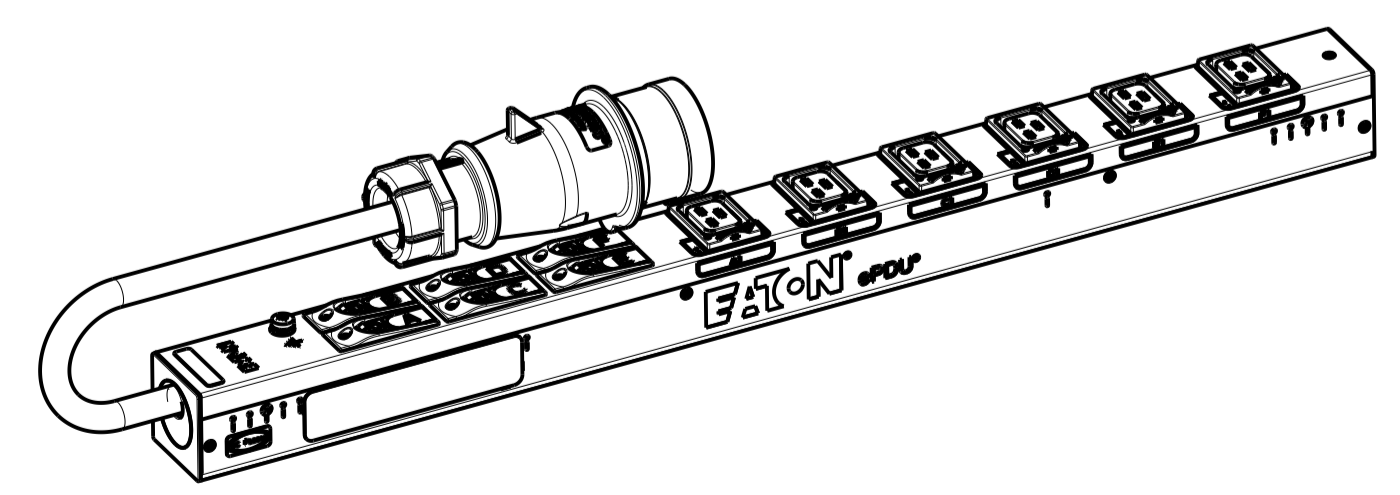


CABLE LENGTH SHOWN NOT TO SCALE



EBAB11		G3 BASIC	
FUNCTIONALITY	INPUT	OUTPUT	ENVIRONMENTAL
NONE	3Ø;346-415V~; WYE, 3W+N+PE 50/60Hz 32A	(6) IEC 60320 C19 GRIP	0 TO 60 °C
MECHANICAL	INPUT RATING	OUTPUT RATING	CERTIFICATIONS
LENGTH: 704MM WIDTH: 52 MM DEPTH: 53MM ALUMINIUM CHASSIS, BLACK MNT PATTERN SK-23919-Y1	IEC 60309-2 32A 400V~ WYE, 3W+N+PE 4.0MM HO7 POWER CORD CABLE LENGTH: 3.0M	400V~;50/60Hz 16A PER C19 16A MAX PER SECTION 32A MAX TOTAL	CE, CB
CIRCUIT BREAKERS	FILTER AND SPIKE/SURGE	ACCESSORIES	CONFIGURATION
NONE	NONE	STANDARD KSP014 - VERT INSTALLATION PACK OPTIONAL EMP001 - ENVIRONMENTAL PROBE	EBA3DH8FBJA72AM



PICTORIAL VIEW
SCALE 0.250

00 INITIAL RELEASE		13.05.2014	RA	MB
REV	MODIFICATION	DATE	DESIGNER	VERIF
		HEINEMANN PRODUCTS		VUE/VIEW 1ST ANGLE
CH-1345 LE LIEU SWITZERLAND		ECHELLE / SCALE 4/10		N° MAG EBAB11
TRAITEMENT / FINISH N/A		N/A		DESSINE LE / DRAWN THE 13.05.2014
MATIERE / MATERIAL N/A		N/A		PAR / BY RA
NIVEAU DU CERTIFICAT DE SOUMISSION REQUIS / SAMPLES APPROVAL PROCESS REPORT N/A		N/A		VERIFIE PAR / VERIFIED BY MB
DIMENSIONS AND TOLERANCES IN MILLIMETERS				
DESIGNATION EPDU BA 0U (309 32A 3P)6XC19		SK-34719-Y1		00
COTES A CONTROLER INSPECTION DIMENSIONS		COTES FONCTIONNELLES FUNCTIONAL DIMENSIONS		NUMERO DU PLAN PLAN NUMBER
XX.XX		# XX.XX		REV.
Ce document est propriété de Eaton Industries Manufacturing GmbH. Duplication interdite sans autorisation. This document is Eaton Industries Manufacturing GmbH property. Duplication forbidden without authorization.				