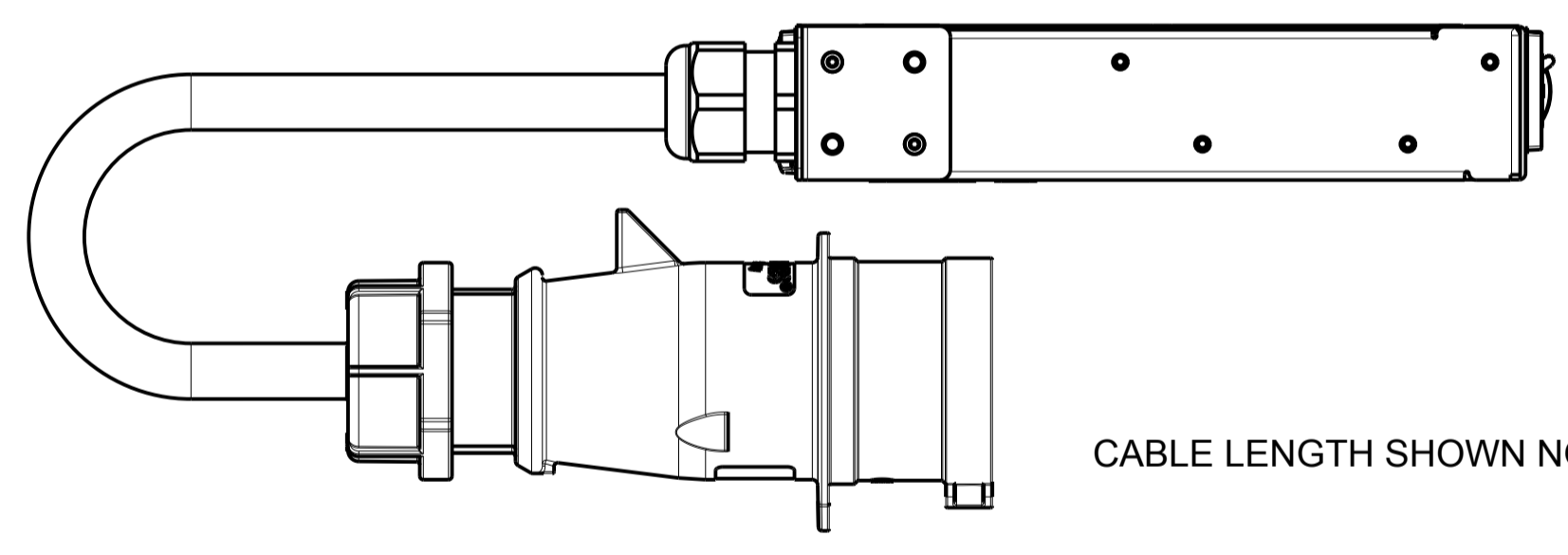
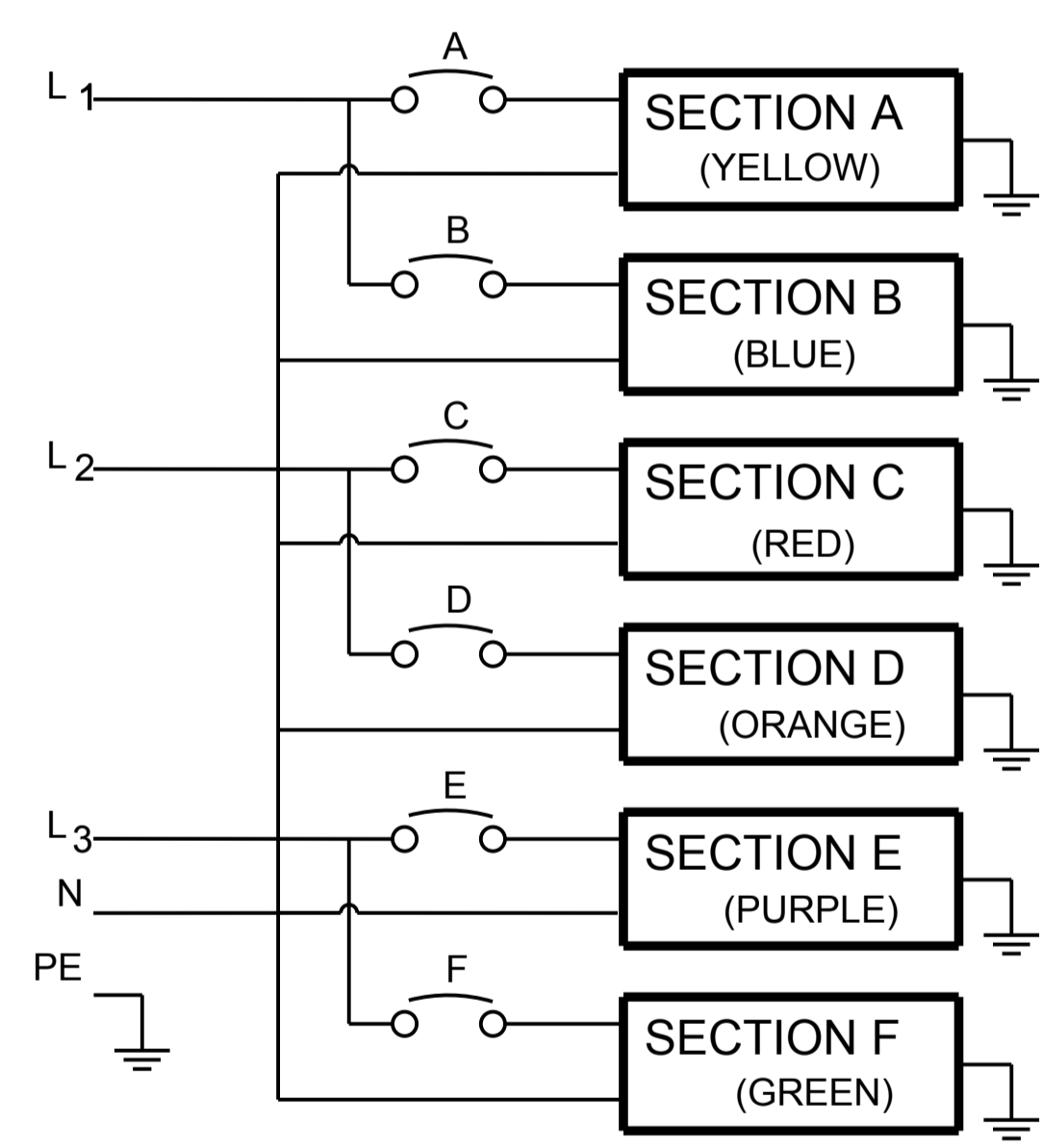
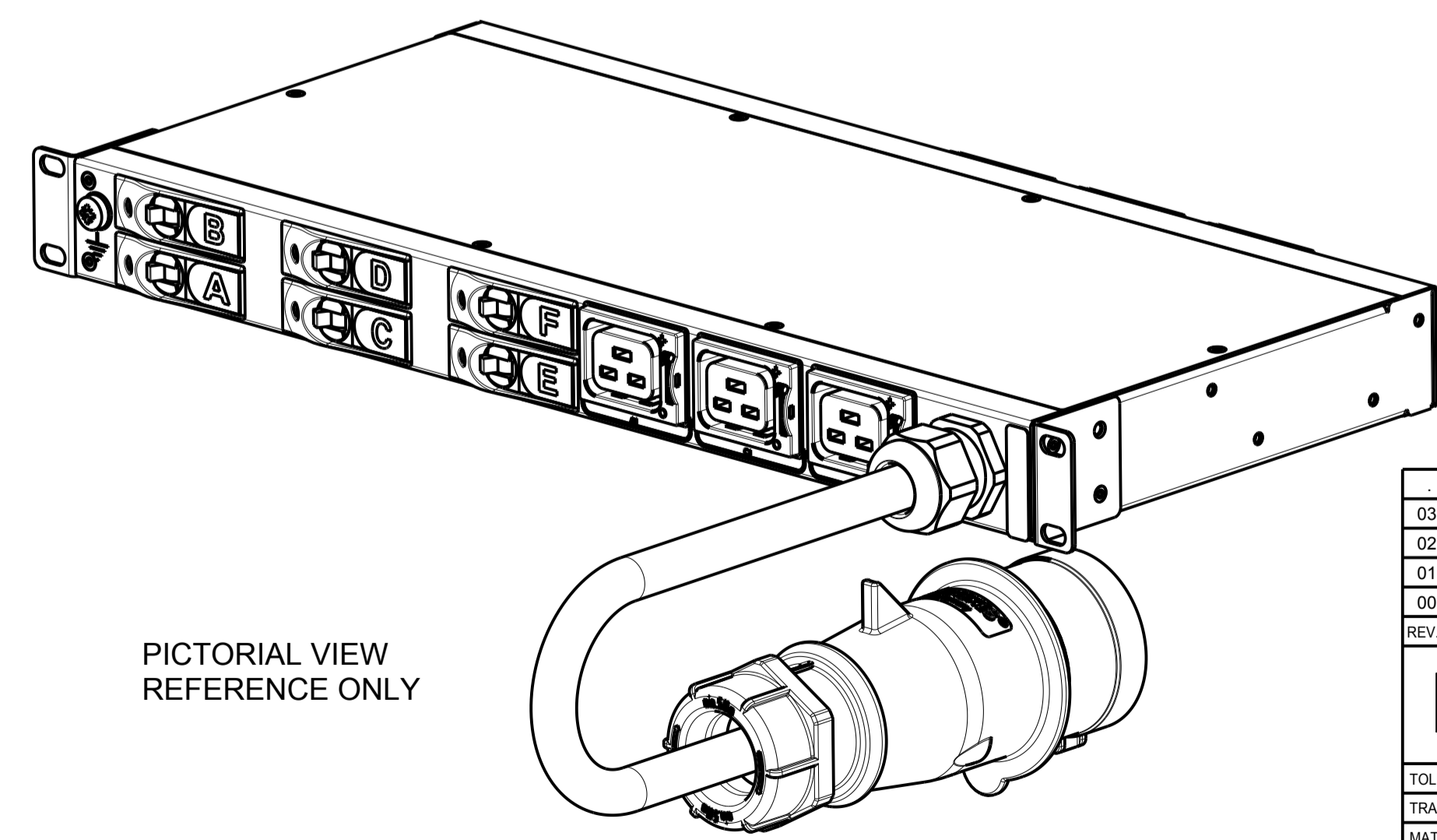


CIRCUIT SCHEMATIC



CABLE LENGTH SHOWN NOT TO SCALE



PICTORIAL VIEW
REFERENCE ONLY

EBAH11 G3 BASIC

FUNCTIONALITY	INPUT	OUTPUT	ENVIRONMENTAL
NONE	IEC 60309-2 32A 400V~ WYE, 3W+N+PE 4.0MM HO7 POWER CORD CABLE LENGTH: 3.0M	(6) IEC 60320 C19 GRIP	0 TO 60° C
MECHANICAL	INPUT RATING	OUTPUT RATING	CERTIFICATIONS
LENGTH: 203.2MM WIDTH: 444.5 MM DEPTH: 42.9MM ALUMINIUM CHASSIS, BLACK MNT PATTERN SK-23919-Y1	3Ø;346-415V~; WYE, 3W+N+PE 50/60HZ 32A	200-240V~;50/60HZ 16A PER C19 16A MAX PER SECTION 32A MAX TOTAL	CE, CB
CIRCUIT BREAKERS	FILTER AND SPIKE/SURGE	ACCESSORIES	CONFIGURATION
(6) 16A 1-POLE	NONE	STANDARD KSP010 - EPDU G3 EMEA 1U INSTALL PACK	EBA3DHJFBJA13AM

03 SECTION COLOR CORRECTION	24.06.2016	CW	MB
02 CONFIGURATION NUMBER CORRECTION, WAS: EBA3DHJFAJA13AM	18.05.2016	CW	MB
01 MODIFY THE PN EBAH11 (PREVIOUS WAS EBAH05)	11.03.2016	RA	MB
00 INITIAL RELEASE	03.03.2016	RA	MB
REV / MODIFICATION	DATE	DESIGNER	VERIF
HEINEMANN PRODUCTS CH-1345 LE LIEU SWITZERLAND		VUE/VIEW EUROPE	N° MAG EBAH11
		ECHELLE / SCALE 1/2	
TRAITEMENT / FINISH NA		DESSINE LE / DRAWED THE 03.03.2016	
MATIERE / MATERIAL NA		PAR / BY RA	
TOLERANCE GENERALE / GENERAL TOLERANCE		VERIFIE PAR / VERIFIED BY MB	
NIVEAU DU CERTIFICAT DE SOUMISSION REQUIS / SAMPLES APPROVAL PROCESS REPORT X		DIMENSIONS AND TOLERANCES IN MILLIMETERS	
DESIGNATION EPDU BA 1U (3Ø 32A 3P)C19X6	SK-74819-Y1	03	
COTES A CONTROLER / INSPECTION DIMENSIONS XX.XX	COTES FONCTIONNELLES / FUNCTIONAL DIMENSIONS # XX.XX	NUMERO DU PLAN / PLAN NUMBER	REV.
Ce document est propriété de Eaton Industries Manufacturing GmbH. Duplication interdite sans autorisation. This document is Eaton Industries Manufacturing GmbH property. Duplication forbidden without authorization.			