

A B C D

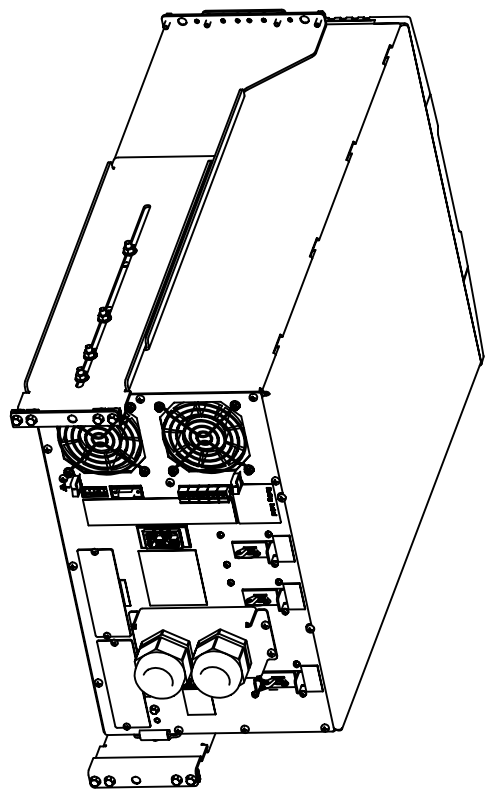
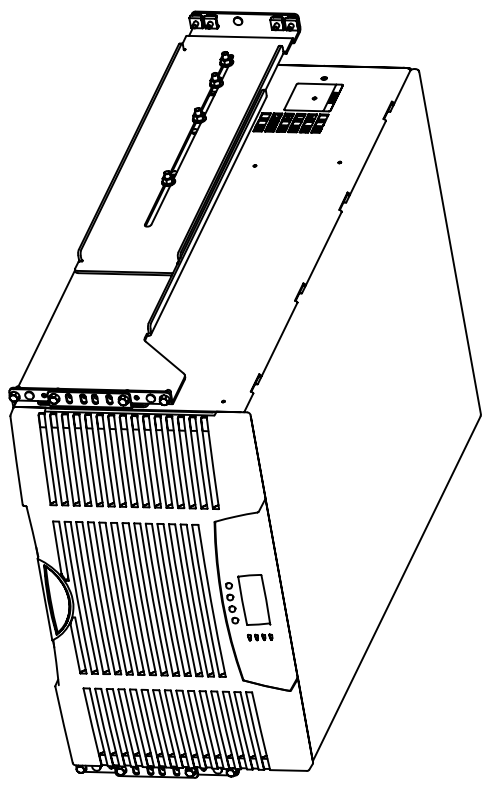
4 3 2 1

4 3 2 1

4 3 2 1

A B C D

A B C D



**EATON**  
BLADE UPS

TYPE A PROTECTION

SHEET B

NUMBER BY: - DATE: 08/08/2007

EDD: XXX STATE: RELEASE

PRO-ENGINEER GENERATED

UNLESS OTHERWISE SPECIFIED, TOLERANCES ON DIMENSIONS ARE:  
 ANGLES: ±0.1° DECIMALS: 0.30 ±0.05 X DIM: ±0.15  
 HOLE DIA: ±0.015 X DIM: ±0.15 HOLE DIA: ±0.015 X DIM: ±0.15  
 DIMENSIONS ARE IN MILLIMETERS (INCHES) AND AFTER PLATING

SCALE: 0.5:1  
 DO NOT SCALE DRAWING OR CHANGE MANUALLY  
 SHEET 1 OF 3

THESE DRAWINGS AND SPECIFICATIONS ARE THE PROPERTY OF FINDERWICK CORP. AND SHALL NOT BE REPRODUCED OR COPIED OR USED AS THE BASIS FOR MANUFACTURE OR SALE OF APPARATUS WITHOUT PERMISSION

4

3

2

1