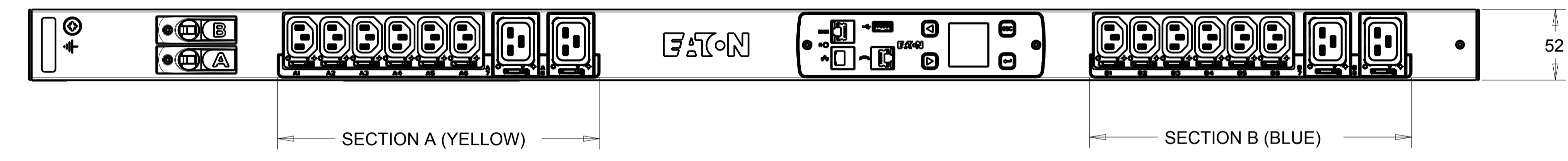
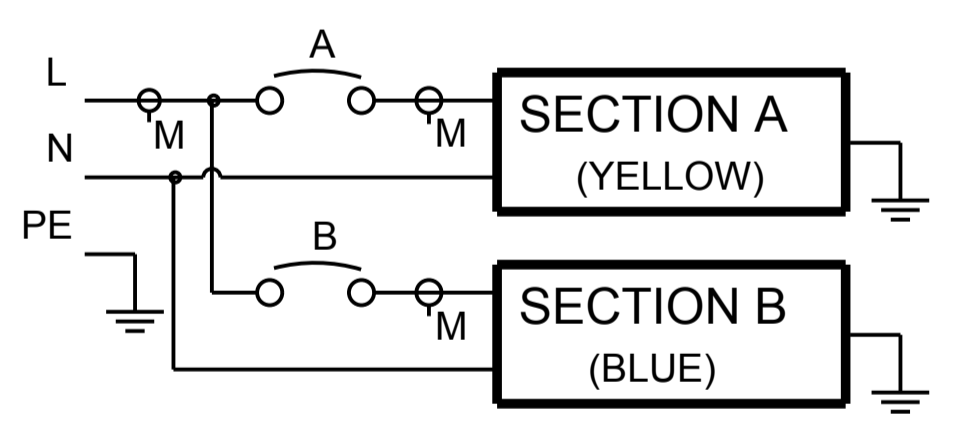


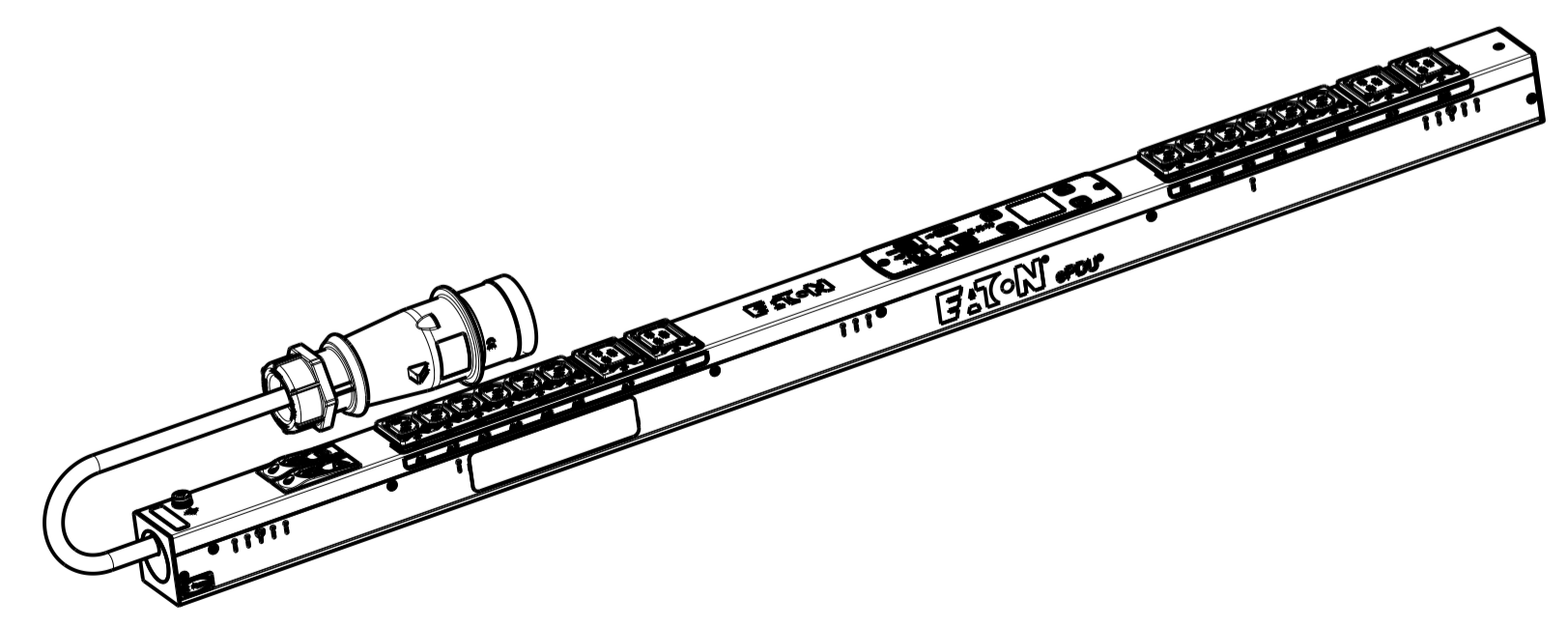
CABLE LENGTH SHOWN NOT TO SCALE



CIRCUIT SCHEMATIC



EMIB06		G3 METERED INPUT	
FUNCTIONALITY	INPUT	OUTPUT	ENVIRONMENTAL
CURRENT POWER AND ENERGY METERING FOR INPUT AND BRANCH	IEC 60309-2 32A 230V~ W+N+PE 4.0MM HO7 POWER CORD CABLE LENGTH: 3.0M	(12) IEC 60320 C13 GRIP (4) IEC 60320 C19 GRIP	0 TO 60 °C
MECHANICAL	INPUT RATING	OUTPUT RATING	CERTIFICATIONS
LENGTH: 1070MM WIDTH: 52 MM DEPTH: 53MM ALUMINIUM CHASSIS, BLACK MNT PATTERN SK-23919-Y1	1Ø; 200-240V~;W+N+PE 50/60HZ 32A	200-240V~;50/60HZ 10A PER C13;16A PER C19 16A MAX PER SECTION 32A MAX TOTAL	CE, CB
CIRCUIT BREAKERS	FILTER AND SPIKE/SURGE	ACCESSORIES	CONFIGURATION
(2) 16A 1-POLE	NONE	STANDARD KSP015 - VERT INSTALLATION AND NETWORK KIT OPTIONAL EMP001 - ENVIRONMENTAL PROBE	EMI3CH8FBDB75AM



PICTORIAL VIEW  
SCALE 0.200

01 REVISED TO FIX GRAPHICS.		21.05.2014	G.McD.	M.B.
REV	MODIFICATION	DATE	DESIGNER	VERIF
<b>EATON</b>		HEINEMANN PRODUCTS		VUE/VIEW EUROPE: 4/10
CH-1345 LE LIEU SWITZERLAND		DESIGNE LE / DRAWED THE		N° MAG EMIB06
TRAITEMENT / FINISH NA		VERIFIE PAR / VERIFIED BY		M.B.
MATIERE / MATERIAL NA		NIVEAU DU CERTIFICAT DE SOUMISSION REQUIS / SAMPLES APPROVAL PROCESS REPORT		X
DESIGNATION		DIMENSIONS AND TOLERANCES IN MILLIMETERS		
EPDU MI 0U (309 32A 1P)12XC13:4XC19		SK-29919-Y1		01
COTES A CONTROLER INSPECTION DIMENSIONS		COTES FONCTIONNELLES FUNCTIONAL DIMENSIONS		# XX.XX
NUMERO DU PLAN PLAN NUMBER		REV.		