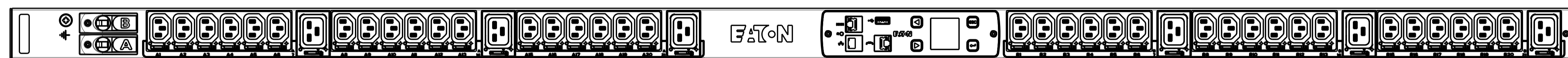


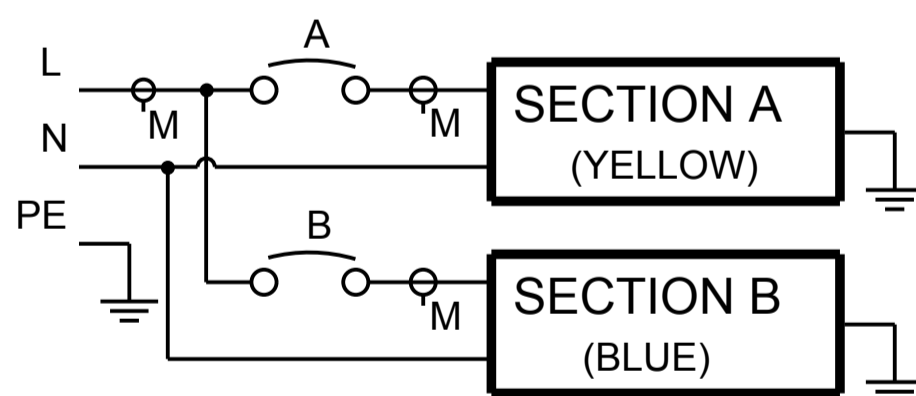
CABLE LENGTH SHOWN NOT TO SCALE



SECTION A (YELLOW)

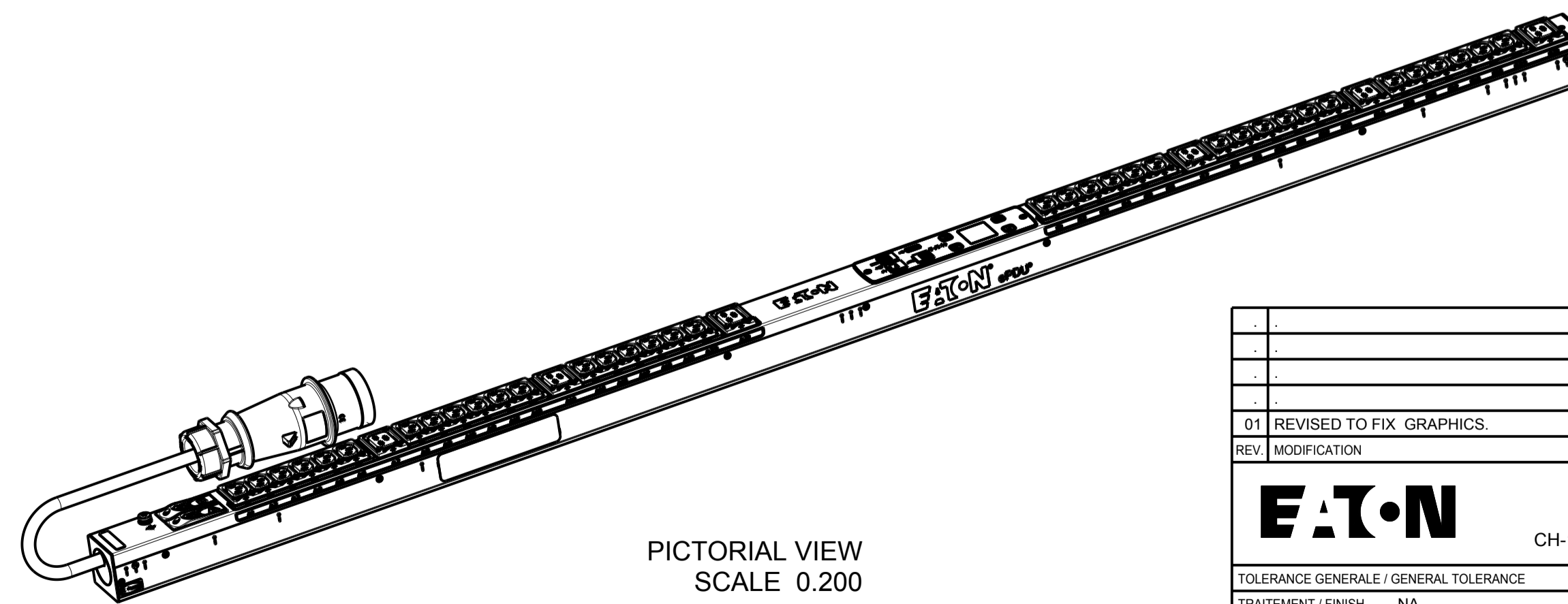
SECTION B (BLUE)

CIRCUIT SCHEMATIC



## EMIB08 G3 METERED INPUT

|  |  |   |                 |
|--|--|---|-----------------|
| FUNCTIONALITY  | INPUT  | OUTPUT  | ENVIRONMENTAL   |
| CURRENT POWER AND ENERGY METERING FOR INPUT AND BRANCH   | IEC 60309-2 32A 230V~ W+N+PE<br>4.0MM HO7 POWER CORD<br>CABLE LENGTH: 3.0M | (36) IEC 60320 C13 GRIP<br>(6) IEC 60320 C19 GRIP   | 0 TO 60 °C      |
| MECHANICAL   | INPUT RATING   | OUTPUT RATING   | CERTIFICATIONS  |
| LENGTH: 1604MM<br>WIDTH: 52 MM<br>DEPTH: 53MM<br>ALUMINIUM CHASSIS, BLACK<br>MNT PATTERN SK-23919-Y1 | 1Ø; 200-240V~;W+N+PE<br>50/60HZ<br>32A                                     | 200-240V~;50/60HZ<br>10A PER C13;16A PER C19<br>16A MAX PER SECTION<br>32A MAX TOTAL                | CE, CB          |
| CIRCUIT BREAKERS   | FILTER AND SPIKE/SURGE   | ACCESSORIES   | CONFIGURATION   |
| (2) 16A 1-POLE   | NONE   | STANDARD<br>KSP015 - VERT INSTALLATION AND NETWORK PACK<br>OPTIONAL<br>EMP001 - ENVIRONMENTAL PROBE | EMI3CH8FBDG77AM |



PICTORIAL VIEW  
SCALE 0.200

|  |                                      |  |  |                              |
|--|--------------------------------------|--|--|------------------------------|
| 01 REVISED TO FIX GRAPHICS.  |                                      | 21.05.2014                                   | G.McD.                                   | M.B.                         |
| REV  | MODIFICATION                         | DATE   | DESIGNER                                 | VERIF.                       |
| EATON HEINEMANN PRODUCTS   |                                      | VUE/VIEW EUROPE: 4/10                        | ECHELLE / SCALE                          | N° MAG                       |
| CH-1345 LE LIEU SWITZERLAND  |                                      | DESSINE LE / DRAWN THE                       |  | 20.02.2014                   |
| TRAITEMENT / FINISH NA   |                                      | PAR / BY                                     |  |                              |
| MATERIE / MATERIAL NA  |                                      | VERIFIE PAR / VERIFIED BY                    |  | M.B.                         |
| NIVEAU DU CERTIFICAT DE SOUMISSION REQUIS / SAMPLES APPROVAL PROCESS REPORT  |                                      | X  | DIMENSIONS AND TOLERANCES IN MILLIMETERS |                              |
| DESIGNATION  | EPDU MI OU (309 32A 1P) 36XC13:6XC19 | SK-30119-Y1                                  |  | 01                           |
| COTES A CONTROLER / INSPECTION DIMENSIONS  | XX.XX                                | COTES FONCTIONNELLES / FUNCTIONAL DIMENSIONS | # XX.XX                                  | NUMERO DU PLAN / PLAN NUMBER |
| Ce document est propriété de Eaton Industries Manufacturing GmbH. Duplication interdite sans autorisation. This document is Eaton Industries Manufacturing GmbH property. Duplication forbidden without authorization. |                                      |  |  |                              |