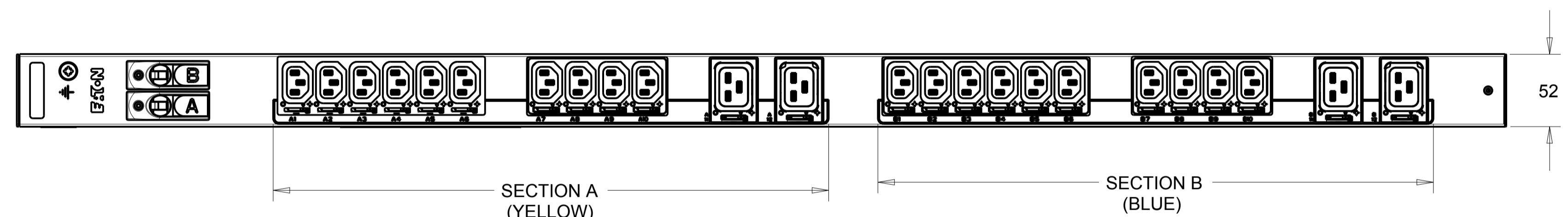
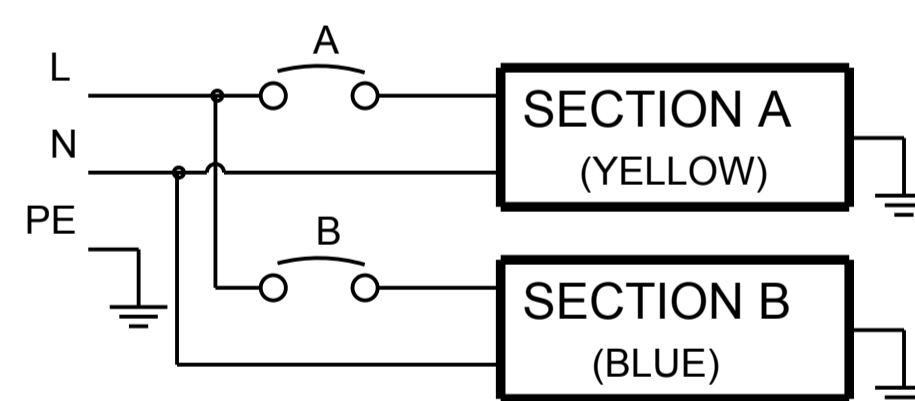


CABLE LENGTH SHOWN NOT TO SCALE

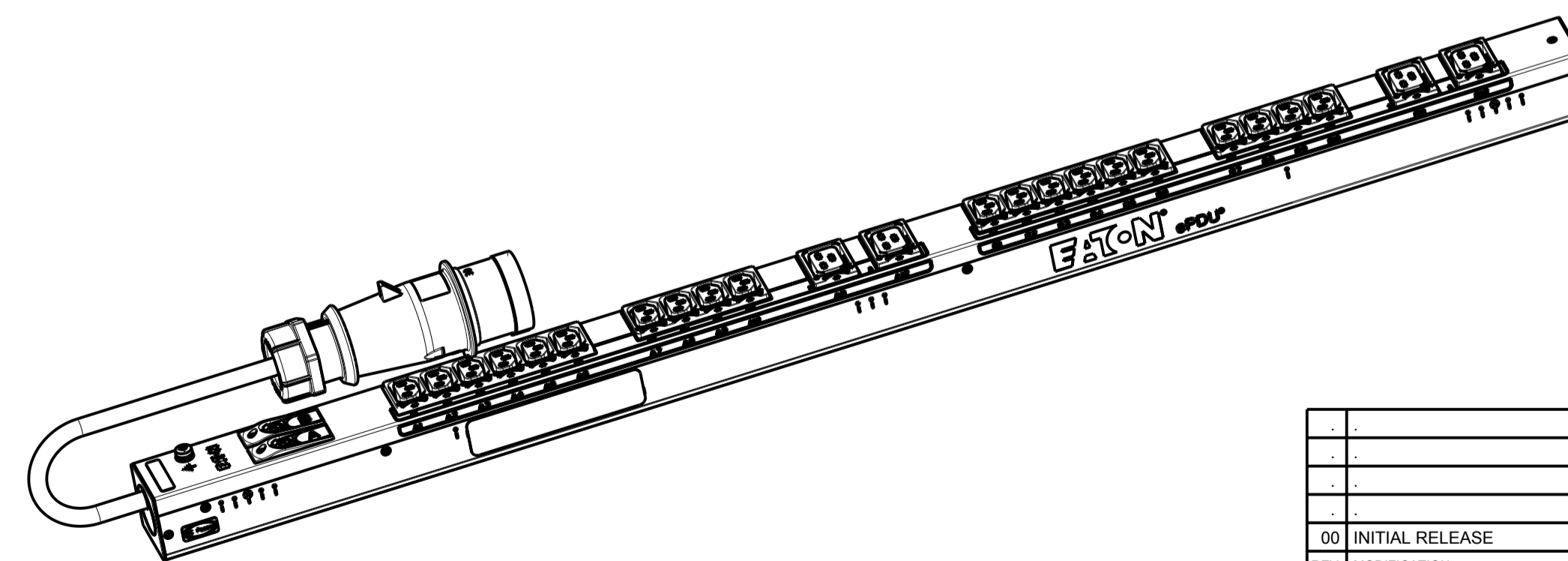


CIRCUIT SCHEMATIC



EBAB05 G3 BASIC

FUNCTIONALITY	INPUT	OUTPUT	ENVIRONMENTAL
NONE	1Ø; 200-240V~; W+N+PE 50/60HZ 32A	(20) IEC 60320 C13 GRIP (4) IEC 60320 C19 GRIP	0 TO 60 °C
MECHANICAL	INPUT RATING	OUTPUT RATING	CERTIFICATIONS
LENGTH: 1070MM WIDTH: 52 MM DEPTH: 53MM ALUMINIUM CHASSIS, BLACK MNT PATTERN SK-23919-Y1	IEC 60309-2 32A 230V~ W+N+PE 4.0MM HO7 POWER CORD CABLE LENGTH: 3.0M	200-240V~; 50/60HZ 10A PER C13; 16A PER C19 16A MAX PER SECTION 32A MAX TOTAL	CE, CB
CIRCUIT BREAKERS	FILTER AND SPIKE/SURGE	ACCESSORIES	CONFIGURATION
NONE	NONE	STANDARD KSP014 - VERT INSTALLATION PACK OPTIONAL EMP001 - ENVIRONMENTAL PROBE	EBA3CE8FBDD75AM



PICTORIAL VIEW
SCALE 0.250

00 INITIAL RELEASE		12.05.2014	RA	MB
REV	MODIFICATION	DATE	DESIGNER	VERIF
EATON		HEINEMANN PRODUCTS		VUE/VIEW 1ST VIEW
CH-1345 LE LIEU SWITZERLAND		ECHELLE / SCALE 4/10		N° MAG EBAB05
TRAITEMENT / FINISH N/A		VERIFIE PAR / VERIFIED BY MB		DESSINE LE / DRAWN THE 12.05.2014
MATIERE / MATERIAL N/A		N/A		PAR / BY RA
NIVEAU DU CERTIFICAT DE SOUMISSION REQUIS / SAMPLES APPROVAL PROCESS REPORT N/A		DIMENSIONS AND TOLERANCES IN MILLIMETERS		
DESIGNATION EPDU BA 0U (309 32A 1P)20XC13:4XC19		NUMERO DU PLAN PLAN NUMBER SK-34619-Y1		00
COTES A CONTROLER INSPECTION DIMENSIONS XX.XX		COTES FONCTIONNELLES FUNCTIONAL DIMENSIONS # XX.XX		REV.