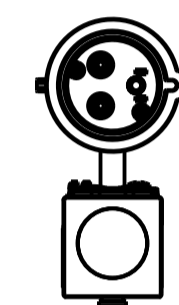
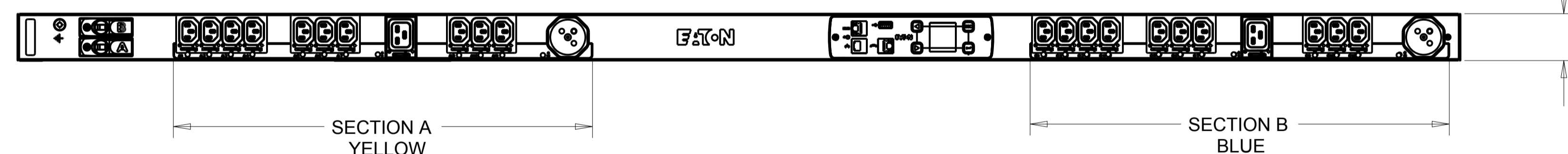
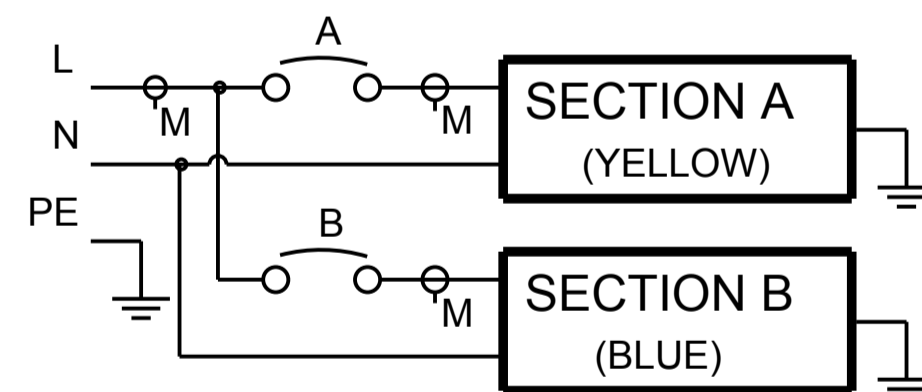


CABLE LENGTH SHOWN NOT TO SCALE

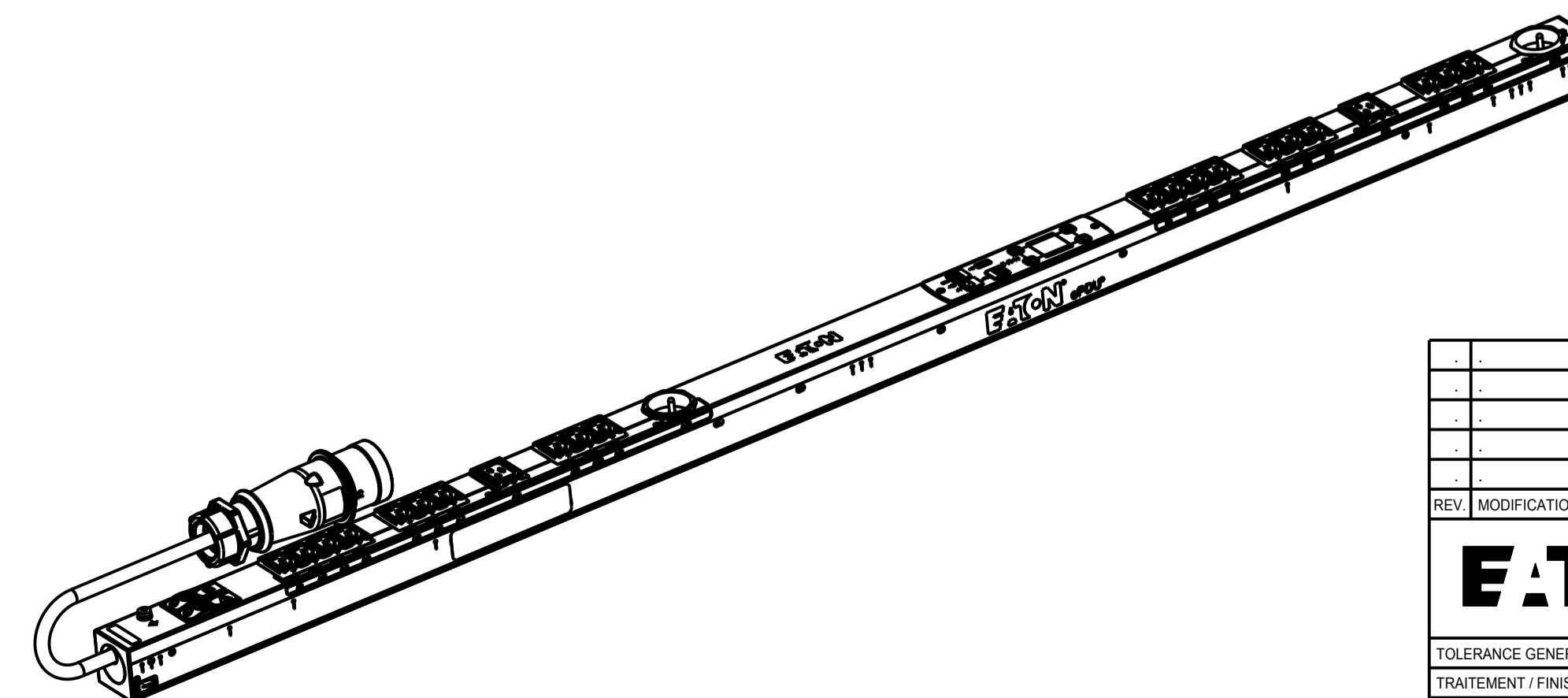


CIRCUIT SCHEMATIC



ESWB17 G3 SWITCHED

FUNCTIONALITY	INPUT	OUTPUT	ENVIRONMENTAL
CURRENT POWER AND ENERGY METERING FOR INPUT AND BRANCH. INDIVIDUAL OUTLET CONTROL	IEC 60309-2 32A 230V~ W+N+PE 4.0MM HO7 POWER CORD CABLE LENGTH: 3.0M	(20) IEC 60320 C13 GRIP (2) IEC 60320 C19 GRIP (2) CEE 7/4 FR	0 TO 60 °C
MECHANICAL	INPUT RATING	OUTPUT RATING	CERTIFICATIONS
LENGTH: 1604MM WIDTH: 52 MM DEPTH: 53MM ALUMINIUM CHASSIS, BLACK MNT PATTERN SK-23919-Y1	1Ø; 200-240V~;W+N+PE 50/60HZ 32A	200-240V~;50/60HZ 10A PER C13;16A PER C19; 16A PER FR 16A MAX PER SECTION 32A MAX TOTAL	CE, CB
CIRCUIT BREAKERS	FILTER AND SPIKE/SURGE	ACCESSORIES	CONFIGURATION
(2) 16A 1-POLE	NONE	STANDARD KSP015 - VERT INSTALL NETWORK PACK OPTIONAL EMP001 - ENVIRONMENTAL PROBE	ESW3CH8FBQB77AM



SCALE 0.188

REV. MODIFICATION		DATE	DESIGNER	VERIF.
EATON		HEINEMANN PRODUCTS	VUE/ECH. EUROPE: 4/10	N° MAG: ESWB17
CH-1345 LE LIEU SWITZERLAND		DESIGNED BY: G.McD.	DRAWN BY: G.McD.	DATE: 12.08.2014
TRAITEMENT / FINISH: NA		VERIFIE PAR / VERIFIED BY: M.B.		
MATIERE / MATERIAL: NA		NIVEAU DU CERTIFICAT DE SOUMISSION REQUIS / SAMPLES APPROVAL PROCESS REPORT: X		
DESIGNATION: EPDU SW 0U (309 32A 1P)20XC13:2XC19:2XFR		DIMENSIONS AND TOLERANCES IN MILLIMETERS		
COTES A CONTROLER / INSPECTION DIMENSIONS: XX.XX		COTES FONCTIONNELLES / FUNCTIONAL DIMENSIONS: # XX.XX		
NUMERO DU PLAN / PLAN NUMBER: SK-42419-Y1		REV.: 00		